

THE HAMMERHEAD PROFESSIONAL FLAT SURFACE CLEANER

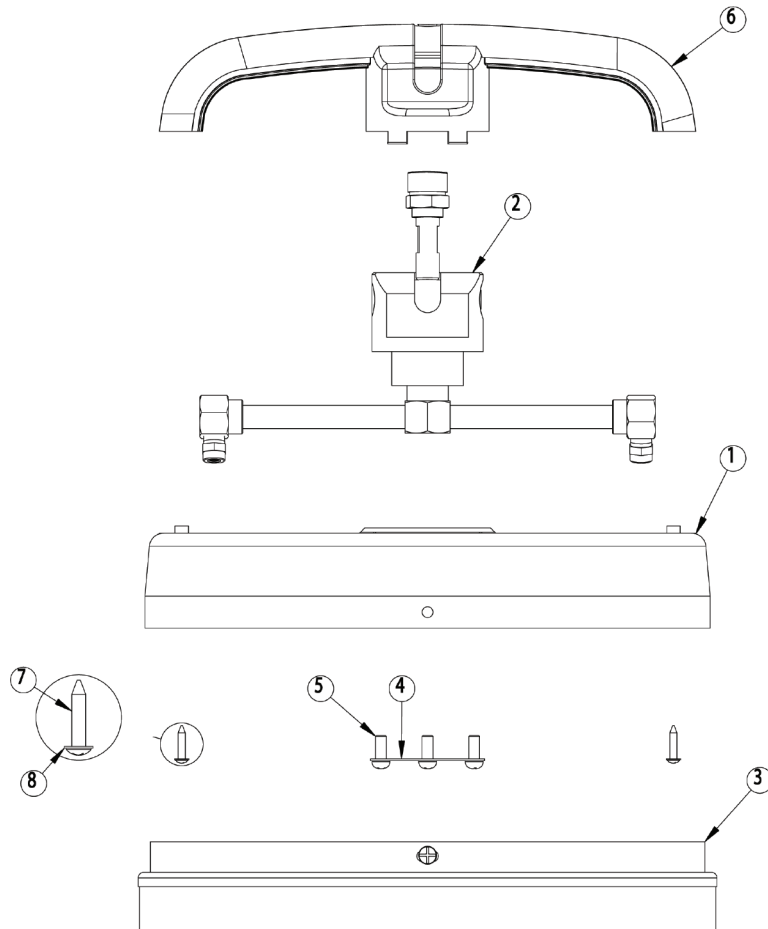
FROM GENERAL PUMP

DFSCP12

OPERATOR'S MANUAL



- FULL 12" CLEANING PATH
- CAN BE CONNECTED DIRECTLY TO A GUN, LANCE OR TELESCOPING WAND
- LIGHTWEIGHT, ANODIZED ALUMINUM COMPONENTS
- DURABLE POLYPROPYLENE DECK AND HANDLE



ITEM NO.	PART NO.	DESCRIPTION	QTY.
1	2660193	Deck, 12"	1
2	2103076	Swivel, FSC, 12"	1
3	2660195	Assy, Brush	1
4	2630001	Plate, Retaining	1
5	2200017	Bolt, M6 x 14	4
6	2660194	Handle	1
7	2200006	Screw	2
8	2203407	Washer	2
		REPAIR KITS	
	2100292	Swivel Repair Kit	
	2660195	Brush Replacement Kit	



General Pump is a member of the Interpump Group



WARNING: Read Before Operating Machine

Always wear protective eyewear
 Keep clear of rotating nozzles
 Never lock trigger gun open with any device
 Drain water in cold weather to avoid freezing
 Tampering with any part of this machine will void all warranties



Operating Instructions

1. Connect directly to gun, lance or telescoping wand.
2. Turn water on and open trigger gun for flow of water through nozzles. Nozzles must have flowing spray. If not, remove tips and clean; reassemble, making sure nozzle groove is parallel to spray bar. Use thread sealant when installing nozzles.
3. Start Pressure Washer. The flat surface cleaner is ready for operation.
4. Move the flat surface cleaner slowly across surface. If striping occurs, slow down your pace.
5. Periodically check weep hole on bottom of swivel. Water may seep slowly; if water sprays out, stop and replace swivel.
6. For maximum effectiveness keep spray tips clean. If the machine vibrates, stop and clean spray tips.

DO NOT ALLOW MACHINE TO REMAIN STATIONARY ON SOFT SURFACES SUCH AS WOOD.

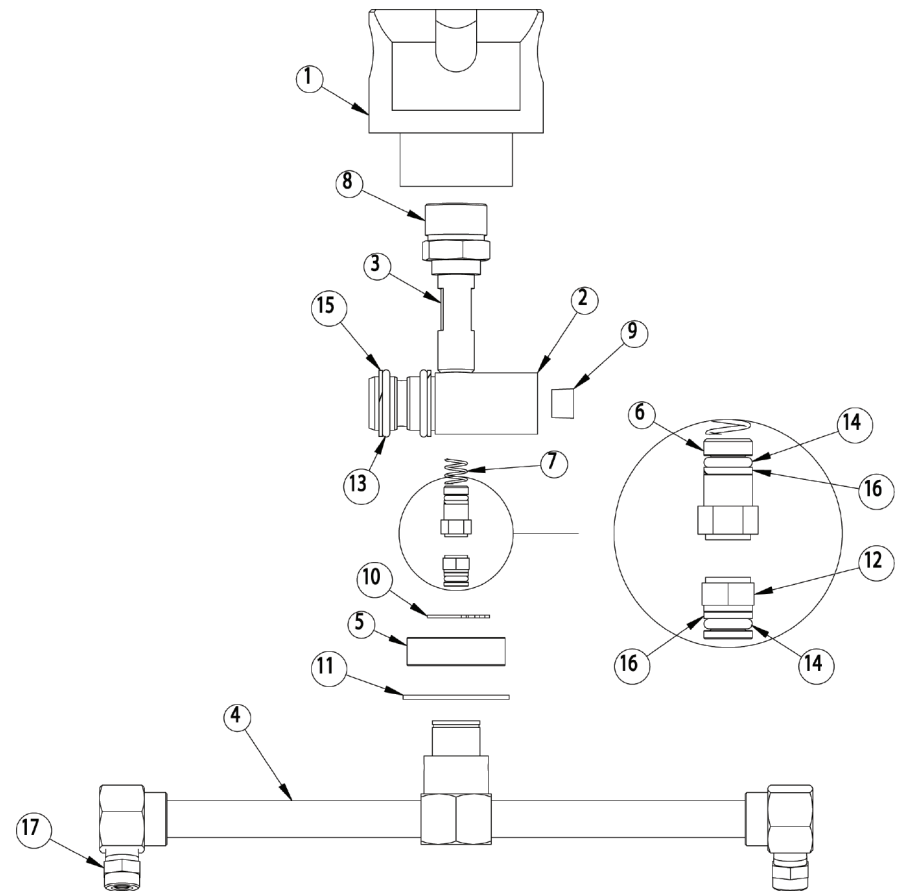
Caution: Striking a raised obstacle during operation will damage machine. If contact does occur and results in vibration when operating machine, STOP and replace spray bar. Continued operation could result in serious injury or damage to machine.

Operating Pressures: 1,500 to 3,500 PSI
 Max Flow: 6.0 GPM
 Dimensions: 12.7" DIA x 5.8" High
 Weight: 4 lbs.

Ref 300798 Rev.A
 01-11

General Pump

1174 Northland Drive • Mendota Heights, MN 55120
 Phone: 651.686.2199 • Fax: 800.535.1745
 www.generalpump.com • sales@gpcompanies.com



ITEM NO.	PART NO.	DESCRIPTION	QTY.	ITEM NO.	PART NO.	DESCRIPTION	QTY.
1	2500006	Housing, Swivel	1	10	2202020	Snap Ring	1
2	2510195	Swivel, Inlet	1	11	2202019	Snap Ring	1
3	2550124	Tube, Inlet	1	12	2520105	Stem, Lower	1
4	2103077	Assy, Arm, 12"	1	13	2701056	O-ring	2
5	2640018	Bearing, Ball	1	14	2701057	O-ring	2
6	2520103	Stem, Upper	1	15	2710023	Back-up Ring	2
7	2720007	Spring	1	16	2710024	Gun, Flat Surface Cleaner	2
8	D10022	Fitting, M22	1	17	2103078	Nozzle, 25 x 20	2
9	2510196	Plug, Pipe, 1/4 NPT	1				