

# GP Soap Shooter

## Shoots Soap Up To 3 Stories!



### SPECIFICATIONS

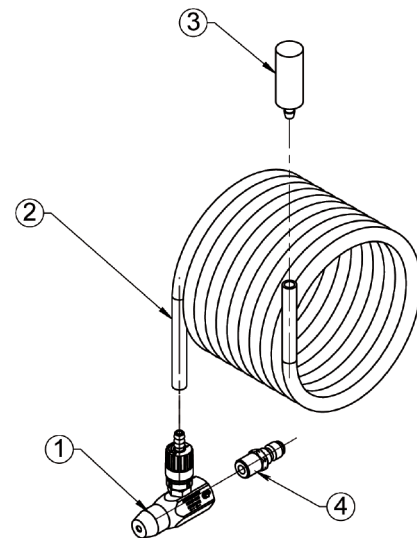
Part Number	Nozzle Size
100169	#3.5
100145	#4.0
100146	#4.5
100147	#5.0
100181	#6.0

### FEATURES

- For use with lance or extension wand
- Adjustable chemical feature
- Chemical can be stopped
- 5000 PSI maximum
- Chemical does not go through pump
- Attaches to QC on lance or extension wand
- Stainless Steel
- Includes:  
30 foot hose  
filter  
nozzle

### PARTS LIST

No.	Part Number	Description	Qty.
1	100170	Chemical injector, Long Dist., #3.5 (100169)	
	100958	Chemical injector, Long Dist., #4.0 (100145)	1
	100959	Chemical injector, Long Dist., #4.5 (100146)	1
	100960	Chemical injector, Long Dist., #5.0 (100147)	1
	100961	Chemical injector, Long Dist., #6.0 (100181)	1
2	D40011FT	Hose, 1/4" ID, Vinyl, Clear	1
3	D40006	Filter, Chemical, No Check	1
4	520134	Nipple, 1/4" QD x 1/4" NPT-M	1



# GP Soap Shooter

**GENERAL PUMP**

*A member of the Interpump Group*

## OPERATING INSTRUCTIONS

### CAUTION:

*Do not point the Soap Shooter at any part of body as serious injury may occur.*

### WARNING:

*The Soap Shooter can damage soft materials such as wood. Start at safe distance from surface or reduce pump pressure.*

### STEP 1

Attach the Soap Shooter to gun or lance.

### STEP 2

Attach one end of hose to Soap Shooter hose barb and insert other end into soap mixture. Be sure the filter is on the tube end that's in the soap.

### STEP 3

Adjust soap concentration with knob on Soap Shooter.

### STEP 4

Point Soap Shooter and surface and pull gun trigger.



Ref 300686 Rev. B  
01-12

**GRIGGS DIRECT**

