

AVAILABLE REPAIR KITS

Rotary Head Kit - Major:

P/N 2100373 (DFSCP18)

P/N 2100372 (DFSCP18GZ)

Includes items 2, 3, 4, 5, 6, 7, 8, 9, 10, 11, 12, 13, 14, 15 and 16

Rotary Head Kit - Minor:

P/N 2100203

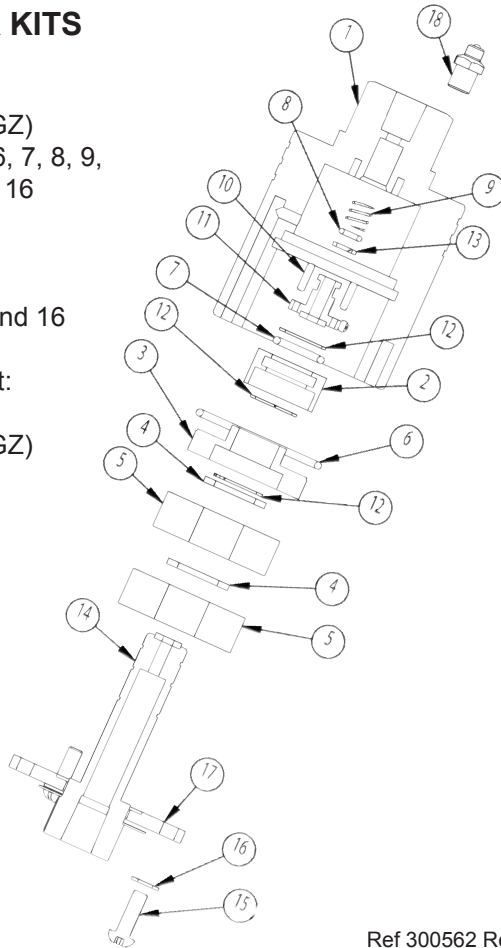
Includes items 9, 10, 12 and 16

Complete Rotary Head Kit:

P/N 2103221 (DFSCP18)

P/N 2103220 (DFSCP18GZ)

Includes all items



Ref 300562 Rev. H
11-12

| ITEM NO. | PART NO. | DESCRIPTION | QTY. |
|----------|----------|-------------------------|------|
| 1 | 2500010 | HOUSING, DFSCP18GZ | 1 |
| | 2500011 | HOUSING, DFSCP18 | |
| 2 | 2520030 | RETAINER, BEARING | 1 |
| 3 | 2520028 | RETAINER, BEARING | 1 |
| 4 | 2520027 | SPACER, BEARING | 2 |
| 5 | 2640004 | BEARING, DFSCP18GZ | 2 |
| | 2640015 | BEARING, DFSCP18 | |
| 6 | 2701012 | O-RING | 1 |
| 7 | 2701011 | O-RING | 1 |
| 8 | 2701010 | O-RING | 1 |
| 9 | 2720007 | SPRING | 1 |
| 10 | 2530008 | PIN | 2 |
| 11 | 2530007 | STEM, SMALL | 1 |
| 12 | 2520029 | SNAP RING | 3 |
| 13 | 2710000 | BACK UP RING | 1 |
| 14 | 2520113 | STEM | 1 |
| 15 | 2200092 | SCREW, M5 X 16 | 3 |
| 16 | 2200050 | WASHER | 3 |
| 17 | 2500012 | RETAINER, BEARING | 1 |
| 18 | 2640012 | ZERK, GREASE, DFSCP18GZ | 1 |



PROFESSIONAL FLAT SURFACE CLEANER

- FULL 18 Inch CLEANING PATH
- HEAVY-DUTY ANODIZED ALUMINUM COMPONENTS
- RUGGED ABS COVER



DFSCP18 DFSCP18GZ OPERATOR'S MANUAL

Ref 300562 Rev. H
11-12

WARNING: Read Before Operating Machine

Always wear protective eyewear

Keep clear of rotating nozzles

Never lock trigger gun open with any device

Drain water in cold weather to avoid freezing

Tampering with any part of this machine will void all warranties

Operating Instructions

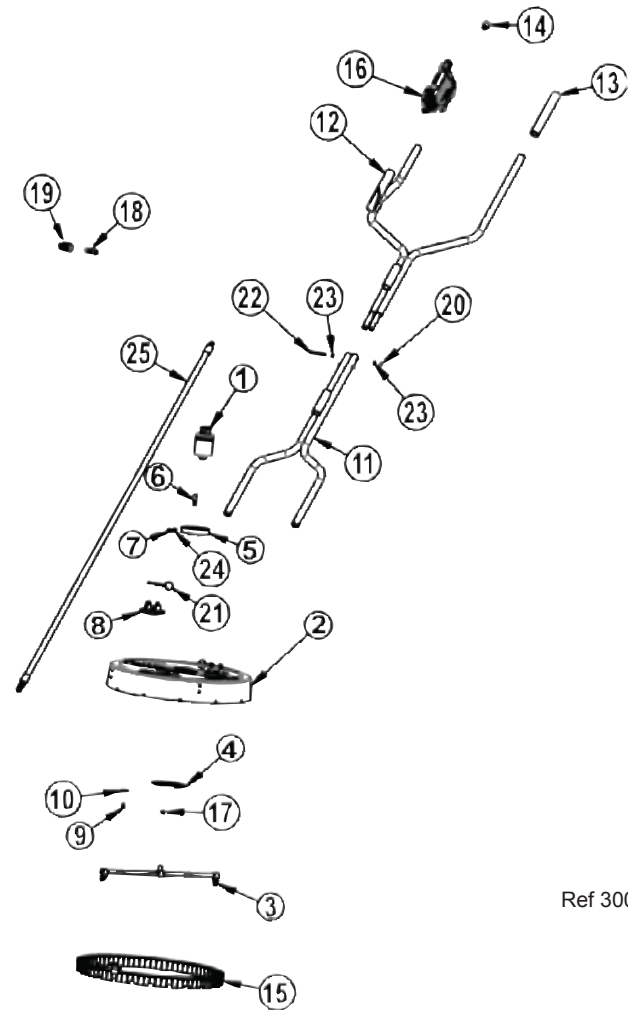
1. Connect to Pressure Washer.
2. Turn water on and open valve. Open trigger gun for flow of water through nozzles. Nozzles must have flowing spray. If not, remove tips and clean; reassemble, making sure that groove of nozzle is parallel to spray bar. Use thread sealant when installing nozzles.
3. Start Pressure Washer. The Hammerhead is ready for operation.
4. Walk slowly behind the Hammerhead cleaning as you go. If striping occurs, slow down your pace.
5. Periodically check weep hole on bottom of swivel. Water will seep slowly; if water shoots out, stop and replace seals. Swivel assembly can be rebuilt.
6. For maximum effectiveness keep spray tips clean. If the machine vibrates, stop and clean spray tips.
7. DFSCP18GZ ONLY: Use No. 2 general purpose waterproof lithium grease. For hot water applications, use a quality high temperature grease. Grease swivel as needed depending on usage. Contact your dealer with questions about greasing.

DO NOT ALLOW MACHINE TO REMAIN STATIONARY ON SOFT SURFACES SUCH AS WOOD.

Caution: Striking any raised obstacle during operation will damage machine. If contact does occur and results in vibration when operating machine, STOP and replace spray bar. Continued operation could result in serious injury or damage to machine.

Operating Pressures: 1,000 to 4,000 PSI
 Max Flow: 8.0 GPM
 Dimensions: 70" x 18.3" x 18.3"
 Weight: 17 lbs.

Ref 300562 Rev.H
 11-12



Ref 300562 Rev.H
 11-12

| ITEM NO. | PART NO. | DESCRIPTION | QTY. |
|----------|----------|--------------------|------|
| 1 | 2103221 | Swivel (DFSCP18) | 1 |
| | 2103220 | Swivel (DFSCP18GZ) | |
| 2 | 2660119 | Deck, GP | 1 |
| 3 | 2530052 | Arm, Rotary, Assy. | 1 |
| 4 | 2630010 | Plate, Retaining | 1 |
| 5 | 2540023 | Collar, Split | 1 |
| 6 | 2200055 | SHCS, M8 | 4 |
| 7 | 2200054 | SHCS, M8 | 1 |
| 8 | 2540020 | Block, Handle | 2 |
| 9 | 2200047 | Bolt, M6 | 8 |
| 10 | 2203406 | Washer, M6 | 8 |
| 11 | 2540021 | Handle, Lower | 1 |
| 12 | 2540022 | Handle, Upper | 1 |

| ITEM NO. | PART NO. | DESCRIPTION | QTY. |
|----------|-----------|---------------------------|------|
| 13 | 2660047 | Grip, Handle | 1 |
| 14 | 2660046 | Plug, Handle | 1 |
| 15 | 2660049 | Brush Assy. | 1 |
| 16 | DG4000FSC | Gun, Flat Surface Cleaner | 1 |
| 17 | 2200053 | Nut, M8 x 1.25 | 4 |
| 18 | D10009 | Plug | 1 |
| 19 | D10004 | Coupler, 3/8 x 3/8-M | 1 |
| 20 | 2200026 | Nut, M6, Nylok | 2 |
| 21 | 2202010 | Pin, 55mm, w/Ring, SST | 2 |
| 22 | 2200058 | HHCS | 2 |
| 23 | 2200018 | Washer, M6 | 4 |
| 24 | 2203507 | Washer | 1 |
| 25 | 2702026 | Hose, FSC, 18" | 1 |